

AVK SUPA COUPLING, PN 16

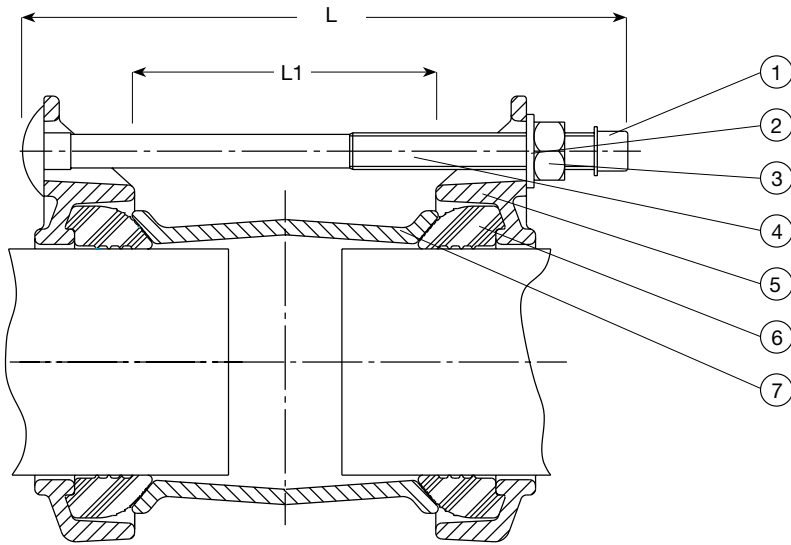
601
001

Universal Supa coupling, for water and sewage to max. 70° C, designed according to DIN/EN, Hydraulic test according to EN 1074-1 and 2 / EN 12266. Approved according to WRAS.

Universal coupling for cast iron, ductile iron, steel, uPVC and asbestos cement pipes. Centre sleeve and gland rings of ductile iron GJS-400-12 (GGG-40) with epoxy coating according to DIN 30677-2 - internally and externally. Sealing of EPDM rubber, with moulded ribs absorbing minor imperfections in the pipe. Bolts of PFTE coated stainless steel A2 and nuts of PFTE coated stainless steel A4. Washers of zinc plated hardened steel. Max. $\pm 8^\circ$ deflection.



For further details see section "Technical Information".
The designs, materials, and specifications shown are subject to change without notice due to the continuous development of our product programme.



Component list

1. End cap
2. Washer
3. Nut
4. Bolt
5. Gland ring
6. Rubber seal
7. Centre sleeve

Reference nos. and dimensions

| AVK ref. nos. | DN mm | L mm | L1 mm | PC2 mm | Theoretical weight kg |
|-----------------|----------|---------|----------|-----------|--------------------------|
| 601-063-0006400 | 40 | 190 | 100 | 46-63 | 2,9 |
| 601-074-0006400 | 50 | 190 | 100 | 57-74 | 2,9 |
| 601-085-0006400 | 65 | 190 | 100 | 68-85 | 3,9 |
| 601-106-0006400 | 80 | 190 | 100 | 84-106 | 4,9 |
| 601-119-0006400 | 100 | 190 | 100 | 99-119 | 5,2 |
| 601-133-0006400 | 100 | 190 | 100 | 109-133 | 5,5 |
| 601-157-0006400 | 125 | 190 | 100 | 132-157 | 6,5 |
| 601-183-0006400 | 150 | 210 | 115 | 157-183 | 7,5 |
| 601-201-0006400 | 150 | 210 | 115 | 176-201 | 9,0 |
| 601-215-0006400 | 200 | 210 | 115 | 193-215 | 9,4 |
| 601-242-0006400 | 200 | 230 | 140 | 218-242 | 12 |
| 601-268-0006400 | 225 | 230 | 140 | 242-268 | 14 |
| 601-292-0006400 | 250 | 250 | 160 | 266-292 | 16 |
| 601-306-0006400 | 250 | 250 | 160 | 280-306 | 15 |
| 601-327-0006400 | 300 | 250 | 160 | 301-327 | 17 |
| 601-350-0006400 | 300 | 250 | 160 | 324-350 | 17 |
| 601-378-0006400 | 350 | 250 | 160 | 352-378 | 20 |
| 601-396-0006400 | 350 | 250 | 160 | 372-396 | 21 |
| 601-410-0006400 | 350 | 250 | 160 | 384-410 | 22 |
| 601-436-0006400 | 400 | 250 | 160 | 410-436 | 22 |
| 601-462-0006400 | 400 | 250 | 160 | 436-462 | 24 |