

Universal adaptor PN 10/PN 16
For cast iron, ductile iron, steel, uPVC and asbetos cement pipes
Universal drilling to ISO 7005-2 (EN 1092-2: 1997, DIN 2501),
in selected sizes also to BS 10 and ANSI B 16.1 Class 125

Use:

For water, gas and sewage applications to max. 70°C
 Total angular deflection of ±4 degrees
 Water: 16 bar maximum working pressure
 Gas: 7 bar maximum working pressure
 Non tensile.
 This is not an end load bearing product

Test:

Water: 1.5 x PN (with water)
 Gas: 1.5 x PN (with water)
 1.1 x PN (with air)

Approvals:

All materials are WRC approved
 DVGW/KTW approved EPDM rubber
 DVGW approved NBR rubber

Materials:

Gland rings, center sleeve	Ductile iron, min. GGG-40, to DIN 1693 (EN-GJS-400: EN1563: 1997)
Coating	Epoxy resin according to DIN 30677
Rubber seals	Water: EPDM to BS 2494 type W Gas: Nitrile to DIN 3535 part 3
Bolts, nuts	Mild steel, min. grade 4.6* with Rilsan coating to WIS 4-52-03
Washers	Hardened steel, zinc plated

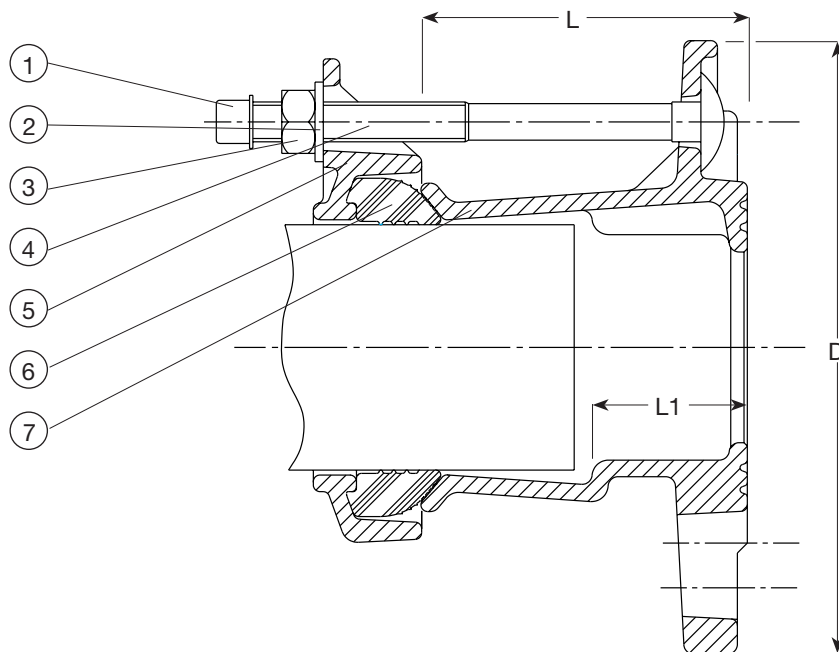
*Optionally A2 stainless steel quality



Universal adaptor PN 10/PN 16
 For cast iron, ductile iron, steel, uPVC and asbetos cement pipes
 Universal drilling to ISO 7005-2 (EN 1092-2: 1997, DIN 2501),
 in selected sizes also to BS 10 and ANSI B 16.1 Class 125

Component list

- | | |
|------------|----------------|
| 1. End cap | 5. Gland ring |
| 2. Washer | 6. Rubber seal |
| 3. Nut | 7. Flange |
| 4. Bolt | |



Ref. nos.	Flange DN	L mm	L1 mm	D mm	Sealing range mm	Bolts	Drilling*	Weight kilos
603-063000-6-400	40/50	98.5	47	165	46 - 63	4	1, 2, 3, 4 & 5	3.8
603-074000-6-400	50	98.5	47	165	57 - 74	4	1, 2, 3, 4 & 5	3.9
603-074001-6-400	50/65	98.5	47	185	57 - 74	4	1, 2, 3, 4 & 5	4.1
603-085000-6-400	50/65	98.5	47	185	68 - 85	4	1, 2, 3, 4 & 5	4.2
603-106000-6-400	80	100	47	200	84 - 106	4	1, 2, 3, 4 & 5	5.0
603-106001-6-400	80/100	100	47	229	84 - 106	4	1, 2, 3, 4, 5, 6 & 7	5.3
603-119000-6-400	100	100		229	99 - 119	4	1, 2, 3, 4, 5, 6 & 7	5.6
603-133000-6-400	100	101	47	229	109 - 133	4	1, 2, 3, 4, 5, 6 & 7	5.8
603-133001-6-400	100/125	101	47	254	109 - 133	4	1, 2, 3, 4, 5, 6 & 7	6.5
603-157000-6-400	125/150	115.5	52.5	285	132 - 157	4	1, 2, 3, 4, 5, 6 & 7	8.3
603-183000-6-400	150	109	51.5	285	157 - 183	4	1, 2 & 5	8.3
603-201000-6-400	150	112	52	343	176 - 201	4	1, 2 & 5	10.4
603-215000-6-400	200	117		343	193 - 215	4	1, 2 & 5	11.6
603-242000-6-400	200	117	53	406	218 - 242	4	1, 2 & 5	12.4
603-268000-6-400	250	118.5		406	242 - 268	6	1 & 2	17.0
603-292000-6-400	250	118.5	57.5	406	266 - 292	6	1 & 2	18.0
603-306000-6-400	250	118.5	57.5	406	280 - 306	6	1 & 2	18.5
603-327000-6-400	300	119.5	60.5	483	301 - 327	6	1, 2 & 5	22.4
603-350000-6-400	300	119.5	60.5	483	324 - 350	6	1, 2 & 5	24.0
603-378000-6-400	350	119.5		533	352 - 378	8	1 & 3	25.4
603-396000-6-400	350	160.5	62	533	372 - 396	8	1 & 3	28.6
603-410000-6-400	350	160.5	62	533	384 - 410	8	1 & 3	29.2
603-436000-6-400	400	165	66.5	597	410 - 436	8	1 & 2	34.5
603-462000-6-400	400	165	66.5	597	436 - 462	8	1 & 2	36.8

* 1: ISO 7005-2, EN 1092-2: 1997, DIN 2501 (universal drilling)
 2: ANSI B16. CL 125
 3: BS 10 Table A
 4: BS 10 Table D
 5: BS 10 Table E
 6: BS 10 Table F
 7: BS 10 Table H