

Resilient seated swing check valve
Face to face dimension to DIN 3202-F6 / BS 5153: 1974 (1991) short
Flanges and drilling to ISO 7005-2 (EN 1092-2: 1997, DIN 2501)

Use:

For potable water and sewage to max. 70°C

Tests:

Hydraulic test to BS 5153: 1974 (1991)
 Seat: 1.1 x PN
 Body: 1.5 x PN

Optional extras:

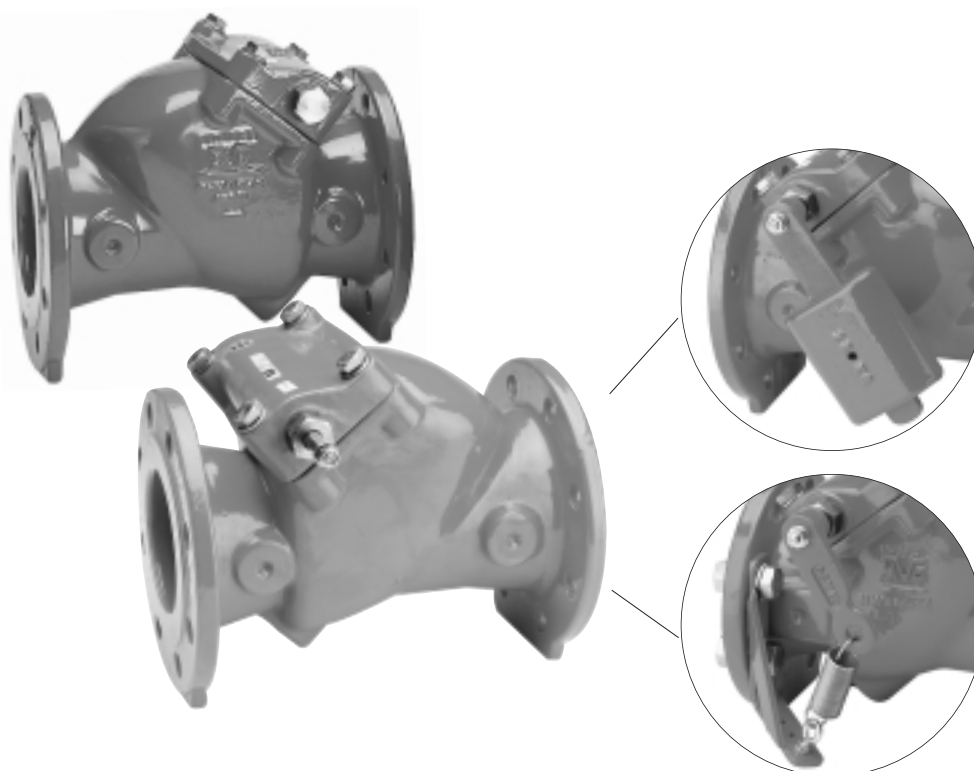
Lever and spring kit
 Lever and weight:
 Mounted RHS as standard - can be mounted LHS on request
 Guard (41/50)
 Priming device (Series 41/64)
 Metal seated disc (Series 41/70)

Materials:

Body, bonnet and hinge	Ductile iron, GGG-50, to DIN 1693 (BS 2789 grade 500-7)
Coating	Electrostatically applied epoxy resin to DIN 30677 - Internally and externally
Shaft	Stainless steel to W. no. 1.40S7 (BS 431S29)
Bonnet gasket	EPDM rubber
Bushing	Brass, CZ 132 to BS 2874
Hexagon bolt, washer and pin	Stainless steel A2
Resilient seated disc	EPDM rubber with a steel insert to EN 10113:1990 (BS 4360:1990)

Accessory kit:

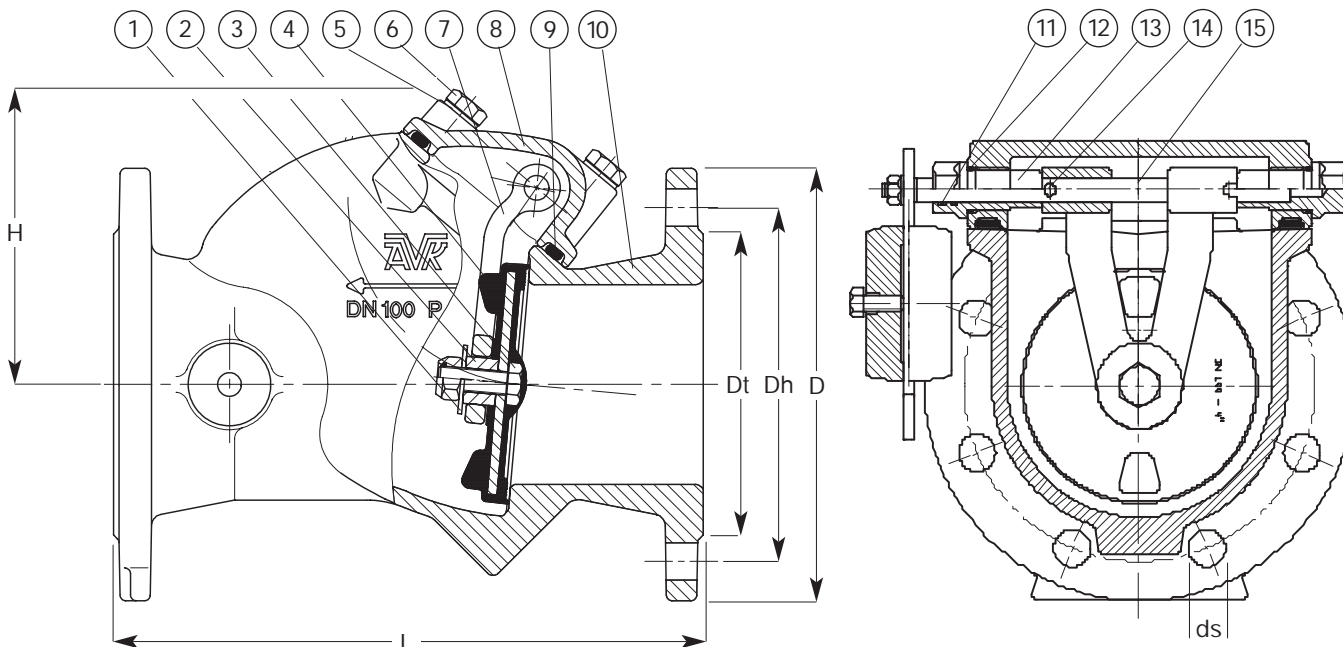
Weight, hinge lever and weight	Ductile iron, GGG-50, to DIN 1693 (BS 2789 grade 500-7)
Spring, washer, hexagon bolt and pin	Stainless steel A2
Guard	FE 360 B to W. no. 1.0037



Resilient seated swing check valve with free shaft end or closed bushings
Face to face dimension to DIN 3202-F6 / BS 5153: 1974 (1991) short
Flanges and drilling to ISO 7005-2 (EN 1092-2: 1997, DIN 2501)

Component list

- | | | |
|-----------------|------------------|-------------|
| 1. Washer | 6. Hexagon bolt | 11. O-ring |
| 2. Nylon spacer | 7. Hinge | 12. O-ring |
| 3. Bolt | 8. Bonnet | 13. Bushing |
| 4. Disc | 9. Bonnet gasket | 14. Pin |
| 5. Washer | 10. Body | 15. Shaft |



With closed bushings

Ref.nos. DIN	Ref.nos. BS	DN	L (DIN) mm	L (BS) mm	H mm	Dt mm	D mm	Dh mm	ds mm	Holes	Weight kilos (theoretical)
41-050-61018	41-050-21018	50	200	203	110	102	165	125	19	4	13
41-065-61018	41-065-21018	65	240	216	140	122	185	145	19	4	17
41-080-61018	41-080-21018	80	260	241	140	138	200	160	19	8	20
41-100-61018	41-100-21018	100	300	292	150	158	220	180	19	8	26
41-125-61018	41-125-21018	125	350	330	195	188	254	210	19	8	40
41-150-61018	41-150-21018	150	400	356	195	212	285	240	23	8	51
41-200-61008	41-200-21008	200	500	495	230	268	340	295	23	8	83
41-200-61018	41-200-21018	200	500	495	230	268	340	295	23	12	83
41-250-61008	41-250-21008	250	600	622	270	320	406	350	23	12	183
41-250-61018	41-250-21018	250	600	622	270	320	406	355	28	12	183
41-300-61008	41-300-21008	300	700	699	300	370	482	400	23	12	231
41-300-61018	41-300-21018	300	700	699	300	370	482	410	28	12	231

0 = PN 10
 1 = PN 16

With free shaft end

Ref.nos. DIN	Ref.nos. BS	DN	L (DIN) mm	L (BS) mm	H mm	Dt mm	D mm	Dh mm	ds mm	Holes	Weight kilos (theoretical)
41-050-60018	41-050-20018	50	200	203	110	102	165	125	19	4	13
41-065-60018	41-065-20018	65	240	216	140	122	185	145	19	4	17
41-080-60018	41-080-20018	80	260	241	140	138	200	160	19	8	20
41-100-60018	41-100-20018	100	300	292	150	158	220	180	19	8	26
41-125-60018	41-125-20018	125	350	330	195	188	254	210	19	8	40
41-150-60018	41-150-20018	150	400	356	195	212	285	240	23	8	51
41-200-60008	41-200-20008	200	500	495	230	268	340	295	23	8	83
41-200-60018	41-200-20018	200	500	495	230	268	340	295	23	12	83
41-250-60008	41-250-20008	250	600	622	270	320	406	350	23	12	183
41-250-60018	41-250-20018	250	600	622	270	320	406	355	28	12	183
41-300-60008	41-300-20008	300	700	699	300	370	482	400	23	12	231
41-300-60018	41-300-20018	300	700	699	300	370	482	410	28	12	231

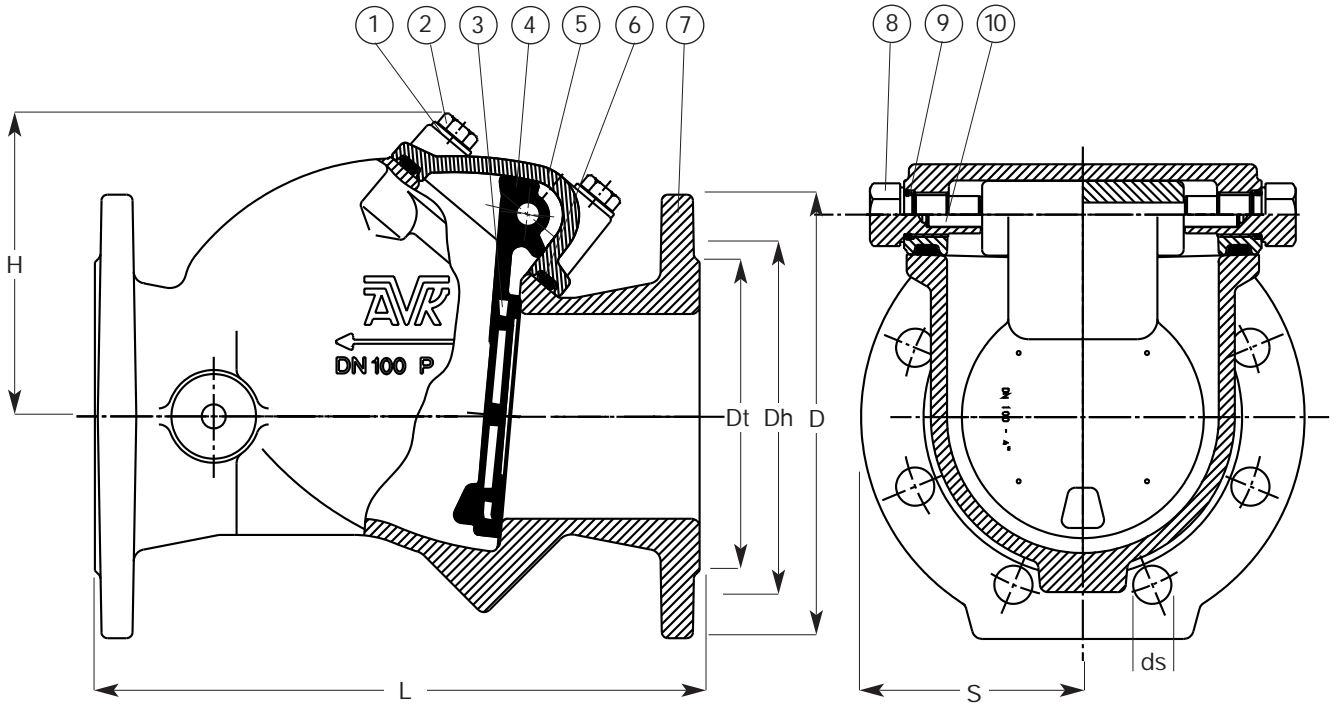
0 = PN 10
 1 = PN 16



Resilient seated swing check valve with solid rubber disc and integrated hinge.
Face to face dimension to DIN 3202-F6 / BS 5153: 1974 (1991) short
Flanges and drilling to ISO 7005-2 (EN 1092-2: 1997, DIN 2501)

Component list

- | | |
|------------------|------------------|
| 1. Washer | 6. Bonnet gasket |
| 2. Hexagon screw | 7. Body |
| 3. Disc insert | 8. Bushing |
| 4. Disc | 9. O-ring |
| 5. Bonnet | 10. Shaft |



With solid rubber disc and integrated hinge

Ref.nos. DIN	Ref.nos. BS	DN	L (DIN) mm	L (BS) mm	H mm	Dt mm	D mm	Dh mm	ds mm	Holes	S mm	Weight kilos (theoretical)
41-050-69018	41-050-29018	50	200	203	110	102	165	125	19	4	160	10
41-065-69018	-	65	240	-	140	122	185	145	19	4	160	12
41-080-69018	41-080-29018	80	260	246	140	138	200	160	19	8	160	15
41-100-69018	41-100-29018	100	300	292	150	158	220	180	19	8	175	20
41-125-69018	-	125	350	-	195	188	254	210	19	8	220	37
41-150-69018	41-150-29018	150	400	356	195	212	285	240	23	8	220	40
41-200-69008	41-200-29008	200	500	495	230	268	340	295	23	8	240	70
41-200-69018	41-200-29018	200	500	495	230	268	340	295	23	12	240	70

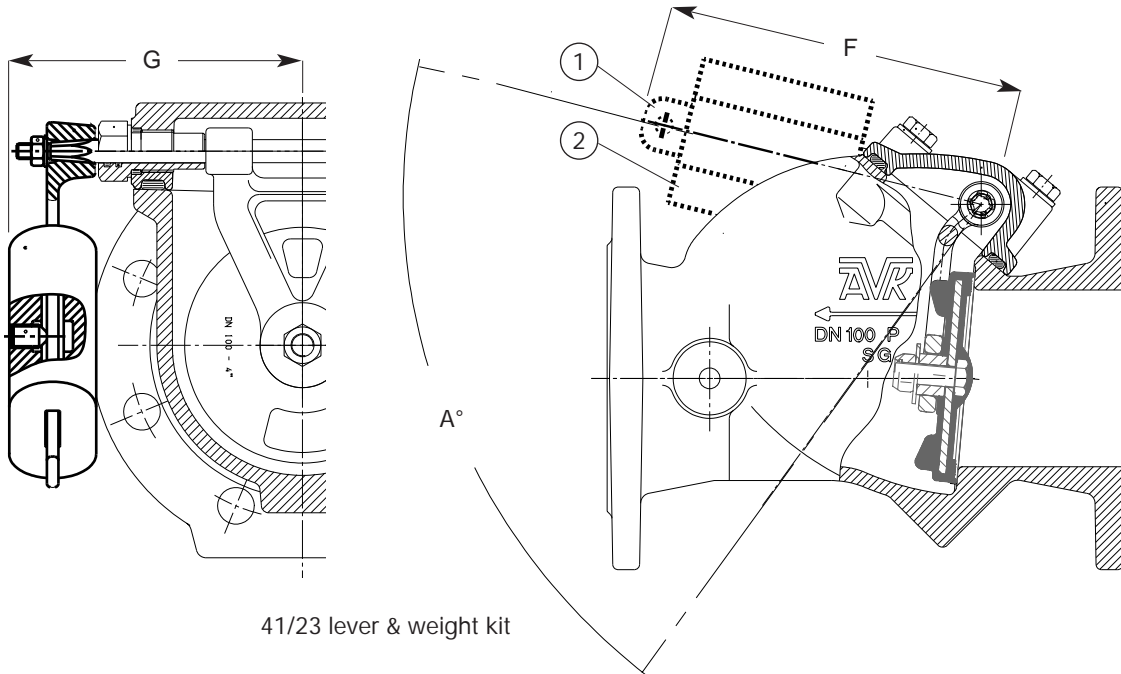
0 = PN 10
 1 = PN 16



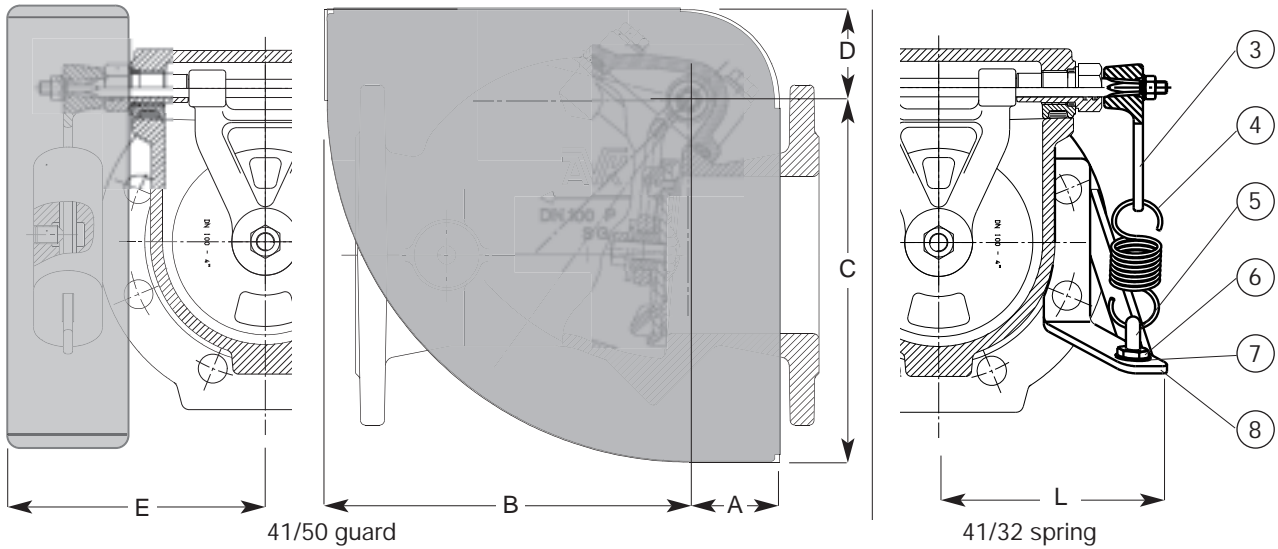
Resilient seated swing check valve
Face to face dimension to DIN 3202-F6 / BS 5153: 1974 (1991) short
Flanges and drilling to ISO 7005-2 (EN 1092-2: 1997, DIN 2501)

Component list

- | | | |
|-----------|----------------|------------|
| 1. Lever | 4. Spring | 7. Washer |
| 2. Weight | 5. Eyebolt | 8. Bracket |
| 3. Lever | 6. Hexagon nut | |



41/23 lever & weight kit



41/50 guard

41/32 spring

DN	Lever & weight kit Ref.nos.	F mm	G mm	A°	Weight kilos (theoretical)	Spring kit Ref.nos.	L mm	Weight kilos (theoretical)	Guard kit Ref.nos.	A mm	B mm	C mm	D mm	E mm	Weight kilos (theoretical)
50	41-080-23000	150	148	59°	2.6 (2.5)	41-050-32000	135	0.8	41-080-50600	52	161	161	52	165	2.0
65		260	148	62°	2.6 (2.5)	41-065-32000	135	0.8		52	161	161	52	165	2.2
80		150	148	65°	2.6 (2.5)	41-080-32000	144	0.8		52	161	161	52	165	2.2
100	41-100-23000	185	158	67°	5.2 (2.5)	41-100-32000	141	0.9	41-100-50600	52	161	161	52	175	3.0
125	41-150-23000	230	200	65°	5.2 (5.0)	41-125-32000	216	1.1	41-150-50600	62	246	246	62	211	3.5
150		230	200	68°	5.2 (5.0)	41-150-32000	184	1.3		62	246	246	62	211	4.0
200	41-200-23000	280	230	71°	12.5 (5.0)	41-200-32000	217	1.5	41-200-50600	62	291	291	62	241	4.5
250	41-300-23000	525	405	58°	12.5 (8.5)	41-300-32000	441	3.3	41-300-50600	68	558	558	68	422	10.2
300		525	405	58°	12.5 (8.5)		441	3.3		68	558	558	68	422	10.2

All dimensions ± 2 mm

